

# ELECTRONIC WET ROTOR CIRCULATORS EVOTRON



Technical Sheet



# EVOTRON



3 curves



2 curves



3 curves



## Construction features

Enbloc body composed of hydraulic section in cast iron and wet rotor motor. Motor casing in die cast aluminium. Impeller in technopolymer. Motor shaft in ceramic held in graphite bearings lubricated by the pumping medium. Rotor protective jacket, stator jacket, and closing flange in stainless steel. Ceramic thrust ring, ethylene-propylene seal rings and brass air breather plug. The two-pole synchronous wet-rotor motor driven by frequency converter and does not require any form of overload protection.

**Operating range:** from 0,4 to 4,2 m<sup>3</sup>/h with head of up to a 8 mt

**Liquid temperature range::** from -10°C a +110°C

**Maximum working pressure:** 10 bar (1000 kPa)

**Protection rating:** IP 44

**Insulation class:** F

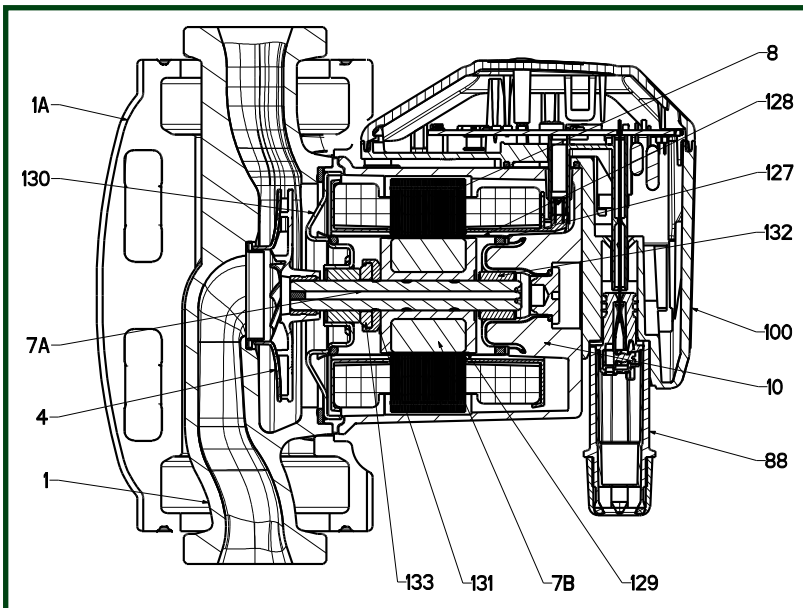
**Installation:** with HORIZONTAL MOTOR SHAFT

**Standard voltage input:** single-phase 1 x 230 V / 50 / 60 Hz

**Liquid quality requirements:** clean, free of solids and mineral oils, non-viscous, chemically neutral and approximating the properties of water (max. glycol contents 30%)

**Special versions on request :** alternative voltages and/or frequencies

## TECHNICAL DATA



N°	PARTS	MATERIALS
1	PUMP BODY	CAST IRON
1A	THERMAL INSULATION	POLYPROPYLENE
4	IMPELLER	ULTRASON
7A	MOTOR SHAFT	CERAMIC
7B	ROTOR	MAGNET
8	STATOR	-
10	MOTOR CASING	DIE CAST ALUMINIUM
88	POWER SUPPLY PLUG	NYLON
100	TERMINAL BOX	POLYCARBONATE
127	SEAL RING	ETHYLENE PROPYLENE
128	STATOR JACKET	STAINLESS STEEL
129	ROTOR JACKET	STAINLESS STEEL
130	CLOSING FLANGE	STAINLESS STEEL
131	THRUST RING SUPPORT	ETHYLENE PROPYLENE
132	BUSHINGS	GRAPHITE
133	THRUST RING	CERAMIC

– Designation index:  
(example)

Electronic circulator with threaded ports

maximum head (dm)

centre distance (mm)

standard (no ref.)

½"

X

= 1" ½ threaded ports

= 1" threaded ports

= 2" threaded ports

EVOTRON 40/180 X

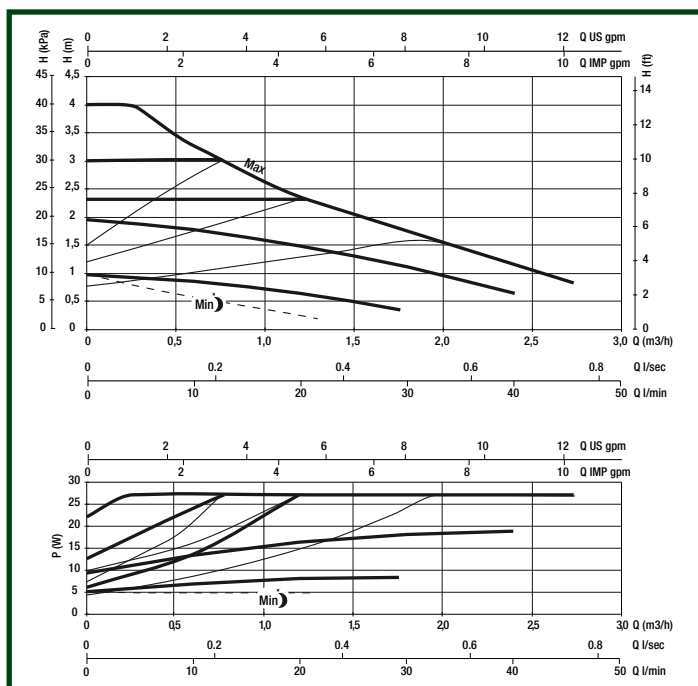
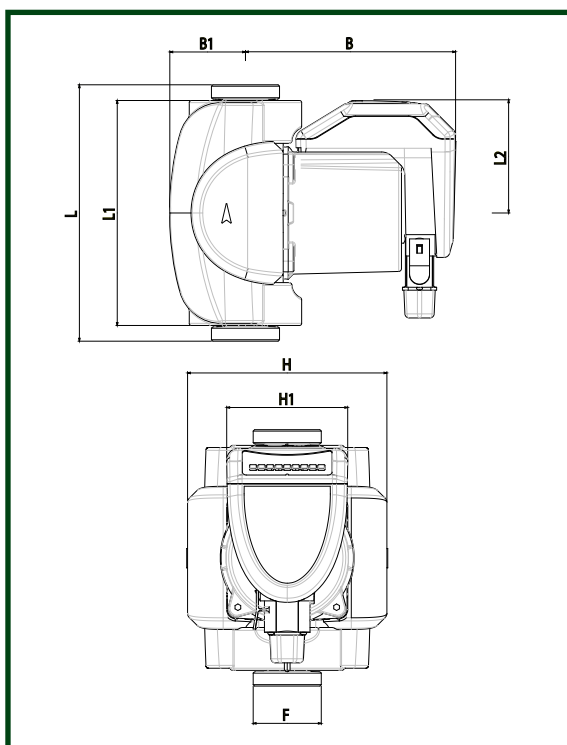
# EVOTRON

## ELECTRONIC CIRCULATORS FOR HEATING AND AIR CONDITIONING SYSTEMS

Liquid temperature range:  
Maximum working pressure:

da - 10 °C a +110°C  
10 bar (1000 kPa)

### EVOTRON 40 Single with unions



The performance curves are based on kinematic viscosity values = 1 mm<sup>2</sup>/s and density equivalent to 1000 kg/m<sup>3</sup>. Tolerance of curves to ISO 9906.

MODEL	L	L1	L2	B	B1	H	H1	F	PACK DIMENSIONS			VOLUME m <sup>3</sup>	WEIGHT Kg
									L	B	H		
<b>40/130 1/2"</b>	130	158	79.5	147.5	53	140	85	1/2"	148	193	217	0.0061	2.720
<b>40/130</b>	130	158	79.5	147.5	53	140	85	1 1/2"	148	193	217	0.0061	2.720
<b>40/180</b>	180	158	79.5	147.5	53	140	85	1 1/2"	148	193	217	0.0061	2.980
<b>40/180 X</b>	180	158	79.5	147.5	53	140	85	2"	148	193	217	0.0061	2.980

MODEL	POWER SUPPLY 50 Hz	CENTRE DISTANCE mm	UNIONS ON REQUEST		ELECTRICAL DATA			MINIMUM SUCTION PRESSURE
			STANDARDIZED	SPECIAL		P W	I A	
<b>40/130 1/2"</b>	1x230 V ~	130	1/2" F	-	MIN MAX	5 27	0,05 0,26	T° + 90°C m.c.a. 10
<b>40/130</b>	1x230 V ~	130	1" F	3/4" F - 1 1/4" M	MIN MAX	5 27	0,05 0,26	T° + 90°C m.c.a. 10
<b>40/180</b>	1x230 V ~	180	1" F	3/4" F - 1 1/4" M	MIN MAX	5 27	0,05 0,26	T° + 90°C m.c.a. 10
<b>40/180 X</b>	1x230 V ~	180	1 1/4" F	-	MIN MAX	5 27	0,05 0,26	T° + 90°C m.c.a. 10

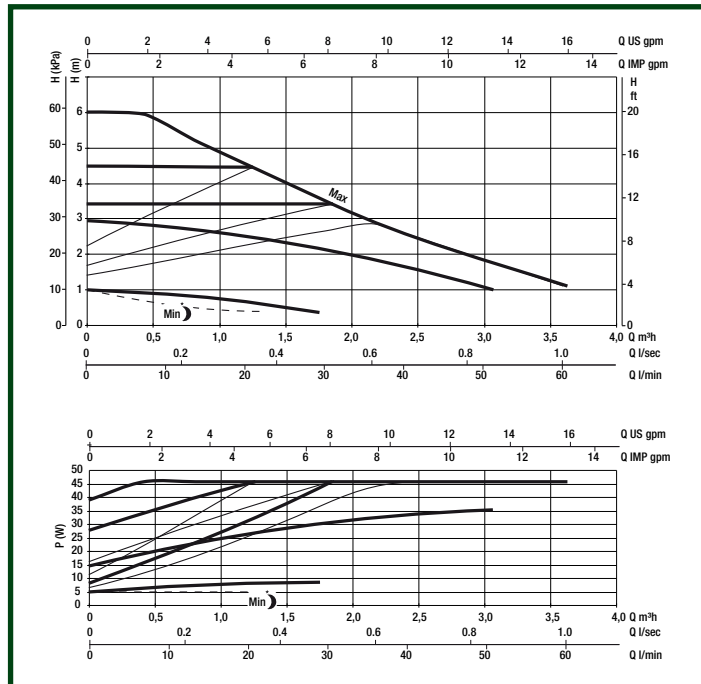
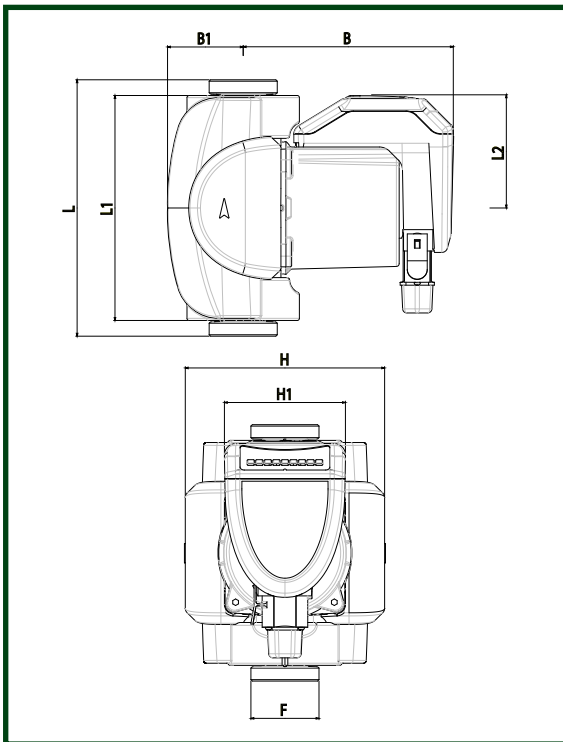
# EVOTRON

## ELECTRONIC CIRCULATORS FOR HEATING AND AIR CONDITIONING SYSTEMS

Liquid temperature range:  
Maximum working pressure:

da - 10 °C a +110°C  
10 bar (1000 kPa)

### EVOTRON 60 Single with unions



The performance curves are based on kinematic viscosity values = 1 mm<sup>2</sup>/s and density equivalent to 1000 kg/m<sup>3</sup>. Tolerance of curves to ISO 9906.

MODEL	L	L1	L2	B	B1	H	H1	F	PACK DIMENSIONS			VOLUME m <sup>3</sup>	WEIGHT Kg
									L	B	H		
60/130 1/2"	130	158	79.5	147.5	53	140	85	1/2"	148	193	217	0.0061	2.720
60/130	130	158	79.5	147.5	53	140	85	1 1/2"	148	193	217	0.0061	2.720
60/180	180	158	79.5	147.5	53	140	85	1 1/2"	148	193	217	0.0061	2.980
60/180 X	180	158	79.5	147.5	53	140	85	2"	148	193	217	0.0061	2.980

MODEL	POWER SUPPLY 50 Hz	CENTRE DISTANCE mm	UNIONS ON REQUEST		ELECTRICAL DATA		MINIMUM SUCTION PRESSURE	
			STANDARDIZED	SPECIAL	P W	I A		
60/130 1/2"	1x230 V ~	130	1/2" F	-	MIN MAX	5 43	0,05 0,40	T° + 90°C m.c.a. 10
60/130	1x230 V ~	130	1" F	3/4" F - 1 1/4" M	MIN MAX	5 43	0,05 0,40	T° + 90°C m.c.a. 10
60/180	1x230 V ~	180	1" F	3/4" F - 1 1/4" M	MIN MAX	5 43	0,05 0,40	T° + 90°C m.c.a. 10
60/180 X	1x230 V ~	180	1 1/4" F	-	MIN MAX	5 43	0,05 0,40	T° + 90°C m.c.a. 10

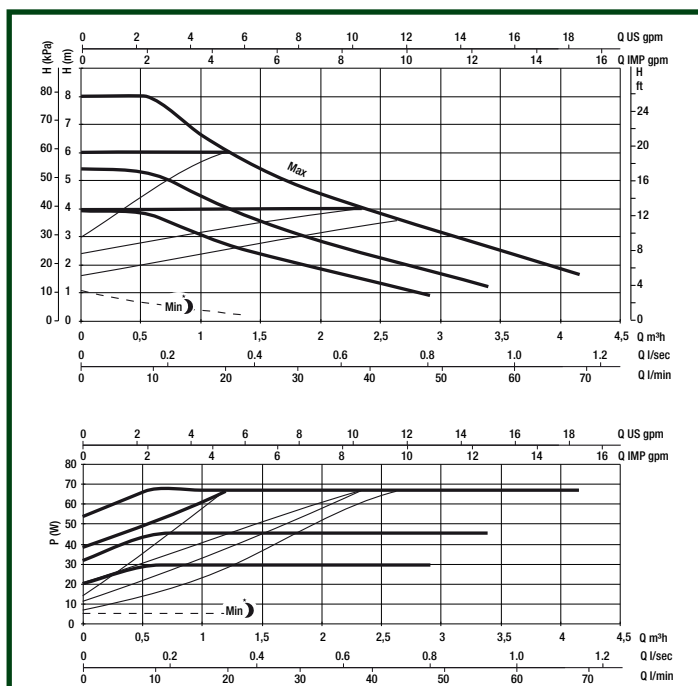
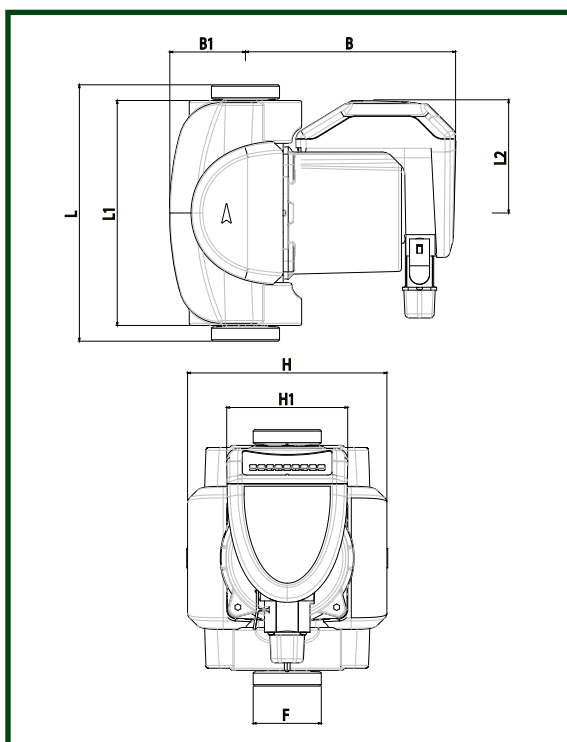
# EVOTRON

## ELECTRONIC CIRCULATORS FOR HEATING AND AIR CONDITIONING SYSTEMS

Liquid temperature range:  
Maximum working pressure:

da - 10 °C a +110°C  
10 bar (1000 kPa)

### EVOTRON 80 Single with unions



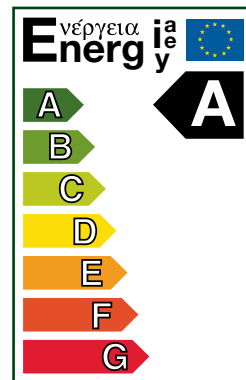
The performance curves are based on kinematic viscosity values = 1 mm<sup>2</sup>/s and density equivalent to 1000 kg/m<sup>3</sup>. Tolerance of curves to ISO 9906.

MODEL	L	L1	L2	B	B1	H	H1	F	PACK DIMENSIONS			VOLUME m <sup>3</sup>	WEIGHT Kg
									L	B	H		
<b>80/130 1/2"</b>	130	158	79.5	147.5	53	140	85	1/2"	148	193	217	0.0061	2.720
<b>80/130</b>	130	158	79.5	147.5	53	140	85	1 1/2"	148	193	217	0.0061	2.720
<b>80/180</b>	180	158	79.5	147.5	53	140	85	1 1/2"	148	193	217	0.0061	2.980
<b>80/180 X</b>	180	158	79.5	147.5	53	140	85	2"	148	193	217	0.0061	2.980

MODEL	POWER SUPPLY 50 Hz	CENTRE DISTANCE mm	UNIONS ON REQUEST		ELECTRICAL DATA		MINIMUM SUCTION PRESSURE	
			STANDARDIZED	SPECIAL	P W	I A		
<b>80/130 1/2"</b>	1x230 V ~	130	1/2" F	-	MIN MAX	5 66	0,06 0,6	T° + 90°C m.c.a. 10
<b>80/130</b>	1x230 V ~	130	1" F	3/4" F - 1 1/4" M	MIN MAX	5 66	0,06 0,6	T° + 90°C m.c.a. 10
<b>80/180</b>	1x230 V ~	180	1" F	3/4" F - 1 1/4" M	MIN MAX	5 66	0,06 0,6	T° + 90°C m.c.a. 10
<b>80/180 X</b>	1x230 V ~	180	1 1/4" F	-	MIN MAX	5 66	0,06 0,6	T° + 90°C m.c.a. 10

# EVOTRON SAN

## ELECTRONIC CIRCULATORS FOR DOMESTIC HOT WATER SYSTEMS



compliant with the 2013 and 2015  
european directive ErP 2009/125/EC  
(ex EuP)



### GENERAL DATA




#### Applications

**Low power consumption** electronic pump for hot water circulation in domestic central heating and air conditioning systems of the closed circuit pressurized type or open circuit type.

#### Advantages

Thanks to the advanced technology employed, the **permanent magnet synchronous motor**, and the **frequency converter**, the new range of **EVOTRON** circulators ensures high efficiency in all applications, bringing appreciable benefits in terms of energy saving. That's why the entire series of **EVOTRON** circulators is included in energy efficiency class A. The circulator features an electronic device that detects the changes demanded by the heating system and automatically adapts circulator performance accordingly, always ensuring optimal efficiency and minimum energy consumption.

Straightforward operation and an easy-to-ready control panel with display that shows the selected setting at each moment of operation **EVOTRON** circulators can function in three different control modes:

- Proportional pressure  3 curves
- Constant pressure  2 curves
- Constant speed  3 curves

Improved and optimized energy consumption overnight (SMART SLEEP Function ) 

Supplied with a special connector that enables simple and quick electrical Connections on installation.

Supplied with an insulation housing kit which adds significantly reducing in heat dispersion.



## Construction features

Enbloc body composed of hydraulic section in bronze and wet rotor motor. Motor casing in die cast aluminium. Impeller in technopolymer. Motor shaft in ceramic held in graphite bearings lubricated by the pumping medium. Rotor protective jacket, stator jacket, and closing flange in stainless steel. Ceramic thrust ring, silicone seal rings. The two-pole synchronous wet-rotor motor driven by frequency converter and does not require any form of overload protection.

**Operating range:** from 0,4 to 4,2 m<sup>3</sup>/h with head of up to a 8 mt

**Liquid temperature range:** from -10°C a +110°C

**Maximum working pressure:** 10 bar (1000 kPa)

**Protection rating:** IP 44

**Insulation class:** F

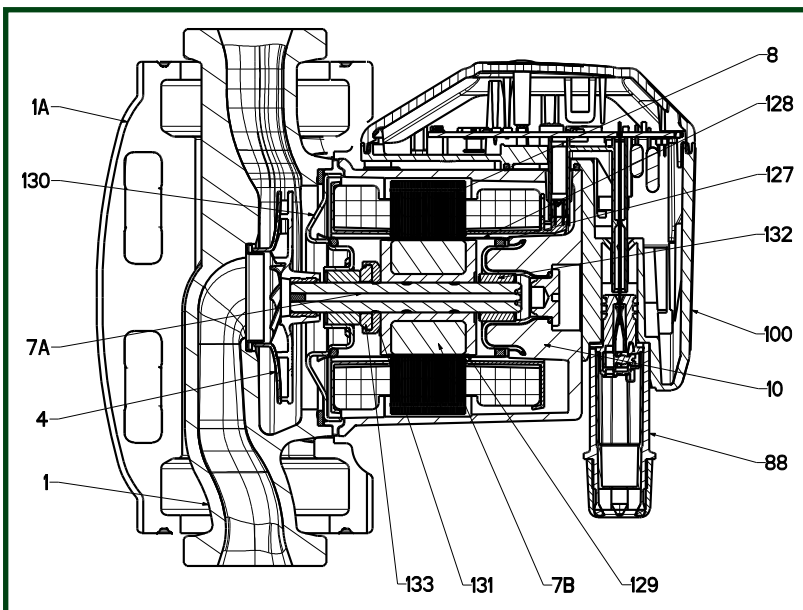
**Installation:** with HORIZONTAL MOTOR SHAFT

**Standard voltage input:** single-phase 1 x 230 V / 50 / 60 Hz

**Liquid quality requirements:** clean, free of solids and mineral oils, non-viscous, chemically neutral and approximating the properties of water

**Special versions on request :** alternative voltages and/or frequencies

## TECHNICAL DATA



N°	PARTS	MATERIALS
1	PUMP BODY	BRONZE
1A	THERMAL INSULATION	POLYPROPYLENE
4	IMPELLER	ULTRASON
7A	MOTOR SHAFT	CERAMIC
7B	ROTOR	MAGNET
8	STATOR	-
10	MOTOR CASING	DIE CAST ALUMINIUM
88	POWER SUPPLY PLUG	NYLON
100	TERMINAL BOX	POLYCARBONATE
127	SEAL RING	ETHYLENE PROPYLENE
128	STATOR JACKET	STAINLESS STEEL
129	ROTOR JACKET	STAINLESS STEEL
130	CLOSING FLANGE	STAINLESS STEEL
131	THRUST RING SUPPORT	SILICONE
132	BUSHINGS	GRAPHITE
133	THRUST RING	CERAMIC

– Designation index:  
(example)

Electronic circulator with threaded ports

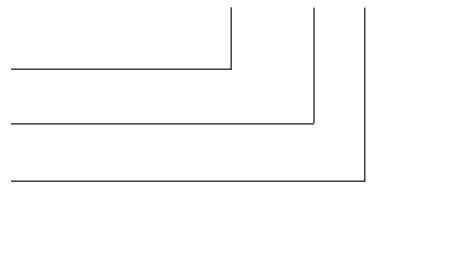
maximum head (dm)

centre distance (mm)

standard = 1" ½ threaded ports

Domestic hot water version

EVOTRON 40/150 SAN



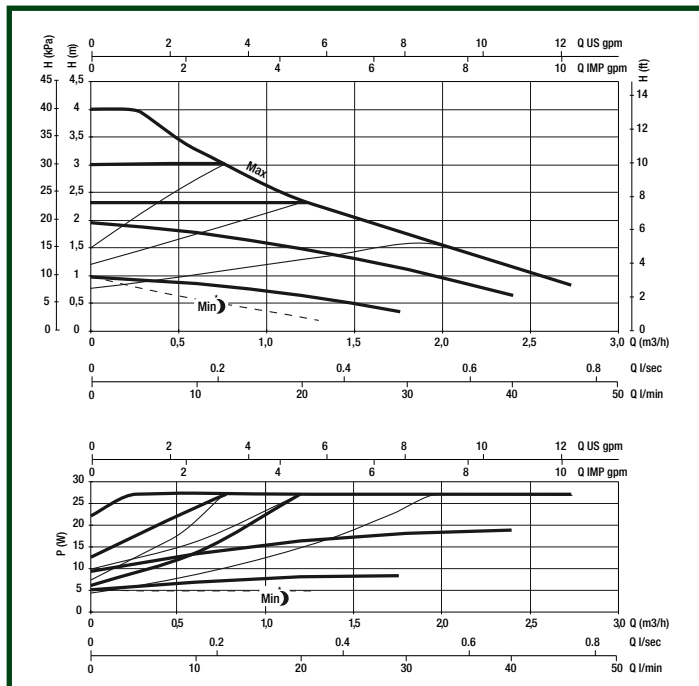
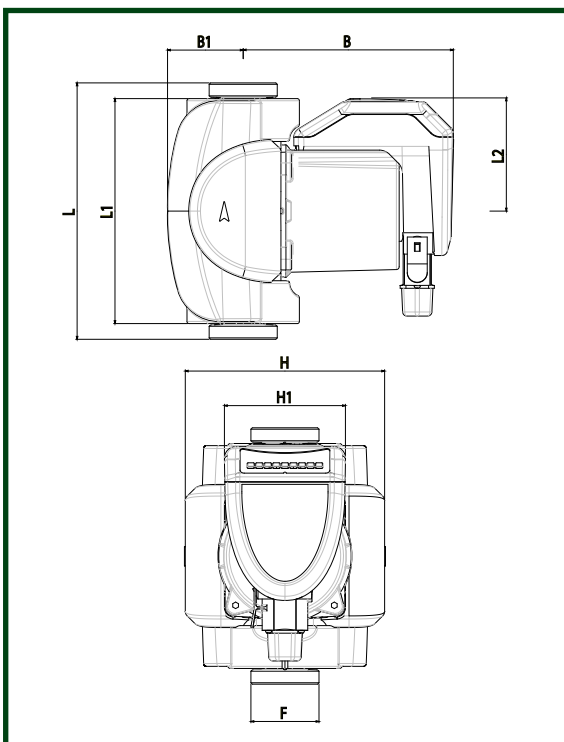
# EVOTRON SAN

## ELECTRONIC CIRCULATORS FOR DOMESTIC HOT WATER SYSTEMS

Liquid temperature range:  
Maximum working pressure:

da - 10 °C a +110°C  
10 bar (1000 kPa)

### EVOTRON 40 SAN Single with unions



The performance curves are based on kinematic viscosity values = 1 mm<sup>2</sup>/s and density equivalent to 1000 kg/m<sup>3</sup>. Tolerance of curves to ISO 9906.

MODEL	L	L1	L2	B	B1	H	H1	F	PACK DIMENSIONS			VOLUME m <sup>3</sup>	WEIGHT Kg
									L	B	H		
<b>40/150 SAN</b>	150	158	79.5	147.5	53	140	85	1"1/2	148	193	217	0.0061	3.080

MODEL	POWER SUPPLY 50 Hz	CENTRE DISTANCE mm	UNIONS ON REQUEST		ELECTRICAL DATA			MINIMUM SUCTION PRESSURE
			BRASS	COPPER	P W	I A		
<b>40/150 SAN</b>	1x230 V ~	150	½" F - ¾" M - 1" F	ø 22 - ø 28	MIN MAX	5 27	0,05 0,26	T° + 90°C m.c.a. 10

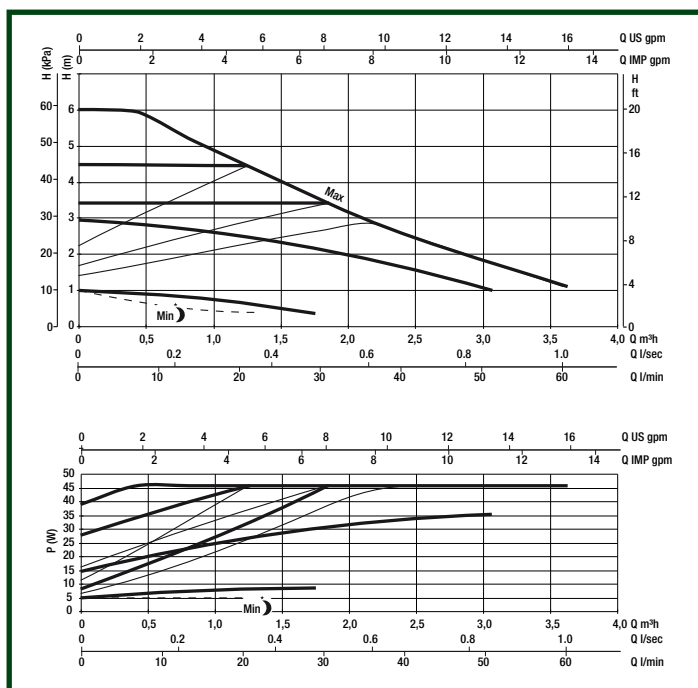
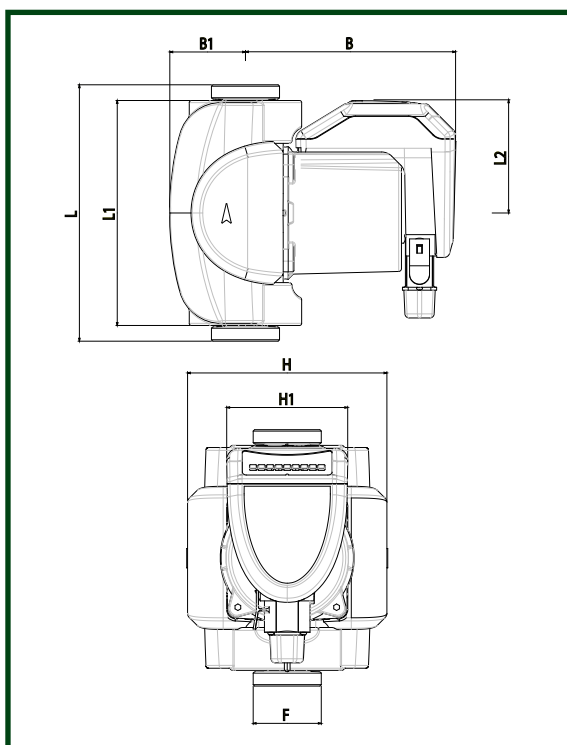
# EVOTRON SAN

## ELECTRONIC CIRCULATORS FOR DOMESTIC HOT WATER SYSTEMS

Liquid temperature range:  
Maximum working pressure:

da - 10 °C a +110°C  
10 bar (1000 kPa)

### EVOTRON 60 SAN Single with unions



The performance curves are based on kinematic viscosity values = 1 mm<sup>2</sup>/s and density equivalent to 1000 kg/m<sup>3</sup>. Tolerance of curves to ISO 9906.

MODEL	L	L1	L2	B	B1	H	H1	F	PACK DIMENSIONS			VOLUME m <sup>3</sup>	WEIGHT Kg
									L	B	H		
<b>60/150 SAN</b>	150	158	79.5	147.5	53	140	85	1*1/2	148	193	217	0.0061	3.080

MODEL	POWER SUPPLY 50 Hz	CENTRE DISTANCE mm	UNIONS ON REQUEST		ELECTRICAL DATA			MINIMUM SUCTION PRESSURE
			BRASS	COPPER	P W	I A		
<b>60/150 SAN</b>	1x230 V ~	150	½" F - ¾" M - 1" F	ø 22 - ø 28	MIN MAX	5 43	0,05 0,40	T° + 90°C m.c.a. 10

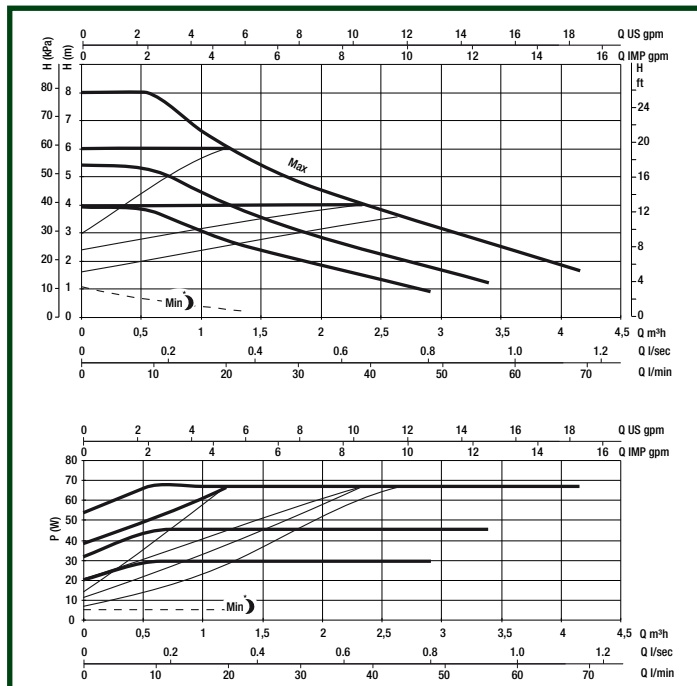
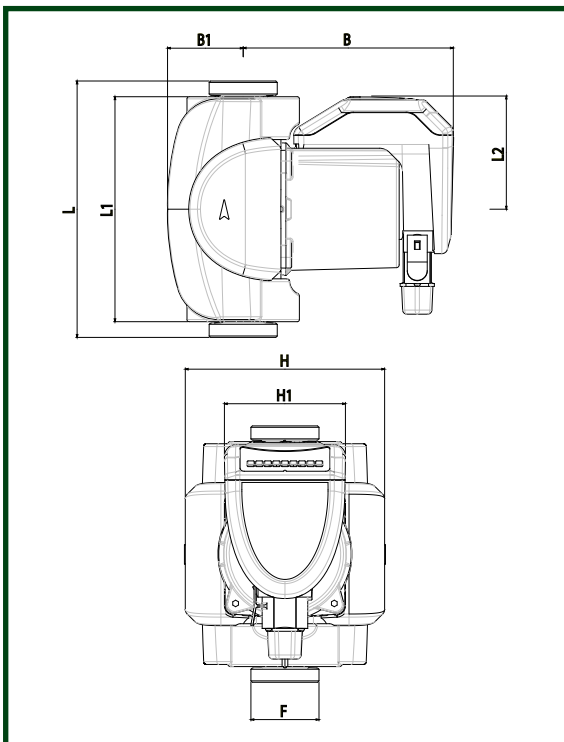
# EVOTRON SAN

## ELECTRONIC CIRCULATORS FOR DOMESTIC HOT WATER SYSTEMS

Liquid temperature range:  
Maximum working pressure:

da - 10 °C a +110°C  
10 bar (1000 kPa)

### EVOTRON 80 SAN Single with unions



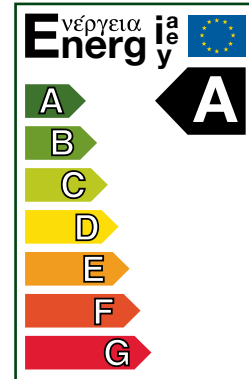
The performance curves are based on kinematic viscosity values = 1 mm<sup>2</sup>/s and density equivalent to 1000 kg/m<sup>3</sup>. Tolerance of curves to ISO 9906.

MODEL	L	L1	L2	B	B1	H	H1	F	PACK DIMENSIONS			VOLUME m <sup>3</sup>	WEIGHT Kg
									L	B	H		
<b>80/150 SAN</b>	150	158	79.5	147.5	53	140	85	1"1/2	148	193	217	0.0061	3.080

MODEL	POWER SUPPLY 50 Hz	CENTRE DISTANCE mm	UNIONS ON REQUEST		ELECTRICAL DATA			MINIMUM SUCTION PRESSURE
			BRASS	COPPER	P W	I A		
<b>80/150 SAN</b>	1x230 V ~	150	½" F - ¾" M - 1" F	ø 22 - ø 28	MIN MAX	5 66	0,06 0,60	T° + 90°C m.c.a. 10

# EVOTRON SOL

## ELECTRONIC CIRCULATORS FOR SOLAR PANEL AND GEOTHERMAL HEATING SYSTEMS



compliant with the 2013 and 2015  
european directive ErP 2009/125/EC  
(ex EuP)



### GENERAL DATA




#### Applications

**Low power consumption** electronic pump for circulation of fluid media in solar panel powered heating systems.  
**EVOTRON SOL** wet rotor circulators can function perfectly also with high glycol concentrations (up to 60%).

#### Advantages

Thanks to the advanced technology employed, the **permanent magnet synchronous motor**, and the **frequency converter**, the new range of **EVOTRON** circulators ensures high efficiency in all applications, bringing appreciable benefits in terms of energy saving. That's why the entire series of **EVOTRON** circulators is included in energy efficiency class A. The circulator features an electronic device that detects the changes demanded by the heating system and automatically adapts circulator performance accordingly, always ensuring optimal efficiency and minimum energy consumption.

Straightforward operation and an easy-to-ready control panel with display that shows the selected setting at each moment of operation  
**EVOTRON** circulators can function in three different control modes:

- Proportional pressure  3 curves
- Constant pressure  2 curves
- Constant speed  3 curves

Improved and optimized energy consumption overnight (SMART SLEEP Function) 

Supplied with a special connector that enables simple and quick electrical Connections on installation.

Supplied with an insulation housing kit which adds significantly reducing in heat dispersion.

## Construction features

Enbloc body composed of hydraulic section in cast iron and wet rotor motor. Special electrophoresis coating of the pump body to ensure resistance to glycol attack. Motor casing in die cast aluminium. Rotor in technopolymer, motor shaft in ceramic held in graphite bearings lubricated by the pumping medium. Rotor protective jacket, stator jacket, and closing flange in stainless steel. Ceramic thrust ring and silicone seals. The two-pole synchronous wet-rotor motor driven by frequency converter and does not require any form of overload protection.

**Operating range:** from 0,4 to 2,6 m<sup>3</sup>/h with head of up to a 8 mt

**Liquid temperature range:** from -10°C a +110°C ( temperature peaks up to 140°C)

**Maximum working pressure:** 10 bar (1000 kPa)

**Protection rating:** IP 44

**Insulation class:** F

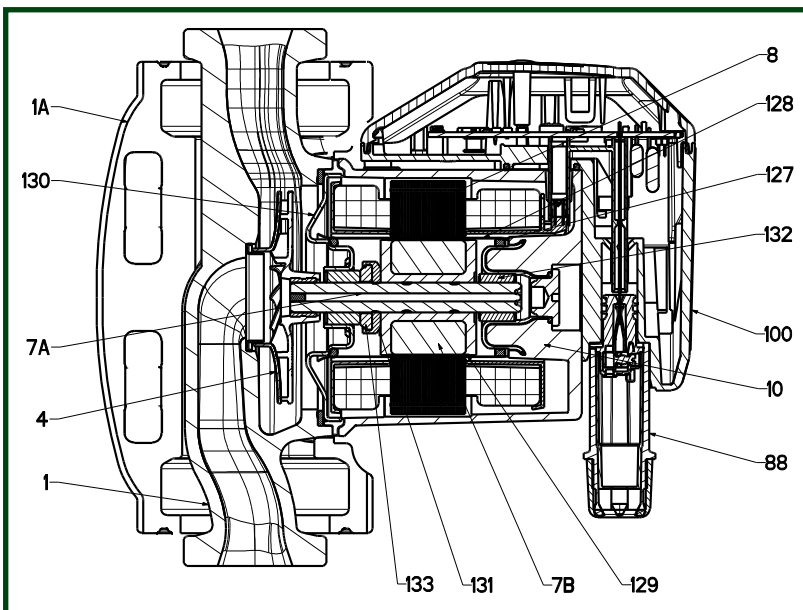
**Installation:** with HORIZONTAL MOTOR SHAFT

**Standard voltage input:** single-phase 1 x 230 V / 50 / 60 Hz

**Liquid quality requirements:** clean, free of solids and mineral oils, non-viscous, chemically neutral and approximating the properties of water (max. glycol contents 60%)

**Special versions on request :** alternative voltages and/or frequencies

## TECHNICAL DATA



N°	PARTS	MATERIALS
1	PUMP BODY	CAST IRON
1A	THERMAL INSULATION	POLYPROPYLENE
4	IMPELLER	ULTRASON
7A	MOTOR SHAFT	CERAMIC
7B	ROTOR	MAGNET
8	STATOR	-
10	MOTOR CASING	DIE CAST ALUMINIUM
88	POWER SUPPLY PLUG	NYLON
100	TERMINAL BOX	POLYCARBONATE
127	SEAL RING	ETHYLENE PROPYLENE
128	STATOR JACKET	STAINLESS STEEL
129	ROTOR JACKET	STAINLESS STEEL
130	CLOSING FLANGE	STAINLESS STEEL
131	THRUST RING SUPPORT	SILICONE
132	BUSHINGS	GRAPHITE
133	THRUST RING	CERAMIC

– Designation index:  
(example)

Electronic circulator with threaded ports

maximum head (dm)

centre distance (mm)

standard (no ref.)

½"

= 1" ½ threaded ports

= 1" threaded ports

Solar and Geothermal Version

EVOTRON 40/130 ½" SOL

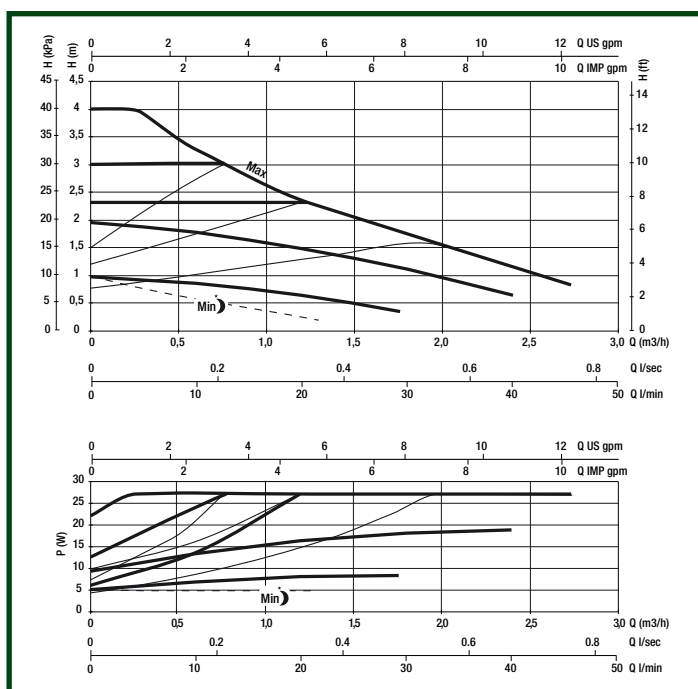
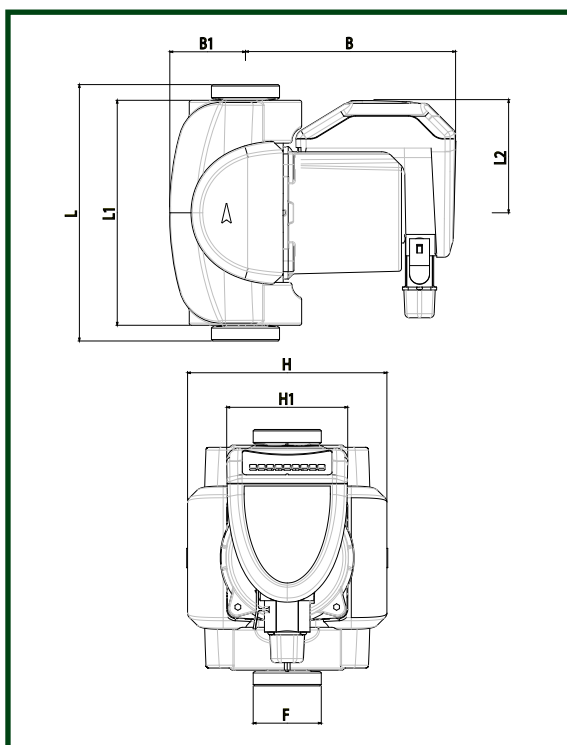
# EVOTRON SOL

## ELECTRONIC CIRCULATORS FOR SOLAR PANEL AND GEOTHERMAL HEATING SYSTEMS

Liquid temperature range:  
Maximum working pressure:

da - 10 °C a +110°C  
10 bar (1000 kPa)

### EVOTRON 40 SOL Single with unions



The performance curves are based on kinematic viscosity values = 1 mm<sup>2</sup>/s and density equivalent to 1000 kg/m<sup>3</sup>. Tolerance of curves to ISO 9906.

MODEL	L	L1	L2	B	B1	H	H1	F	PACK DIMENSIONS			VOLUME m <sup>3</sup>	WEIGHT Kg
									L	B	H		
<b>40/130 1/2" SOL</b>	130	158	79.5	147.5	53	140	85	1/2"	148	193	217	0.0061	2.720
<b>40/180 SOL</b>	180	158	79.5	147.5	53	140	85	1 1/2"	148	193	217	0.0061	2.980

MODEL	POWER SUPPLY 50 Hz	CENTRE DISTANCE mm	UNIONS ON REQUEST		ELECTRICAL DATA			MINIMUM SUCTION PRESSURE
			BRASS	COPPER		P W	I A	
<b>40/130 1/2" SOL</b>	1x230 V ~	130	-	-	MIN MAX	5 27	0,05 0,26	T° + 90°C m.c.a. 10
<b>40/180 SOL</b>	1x230 V ~	180	½" F - ¾" M - 1" F	ø 22 - ø 28	MIN MAX	5 27	0,05 0,26	T° + 90°C m.c.a. 10

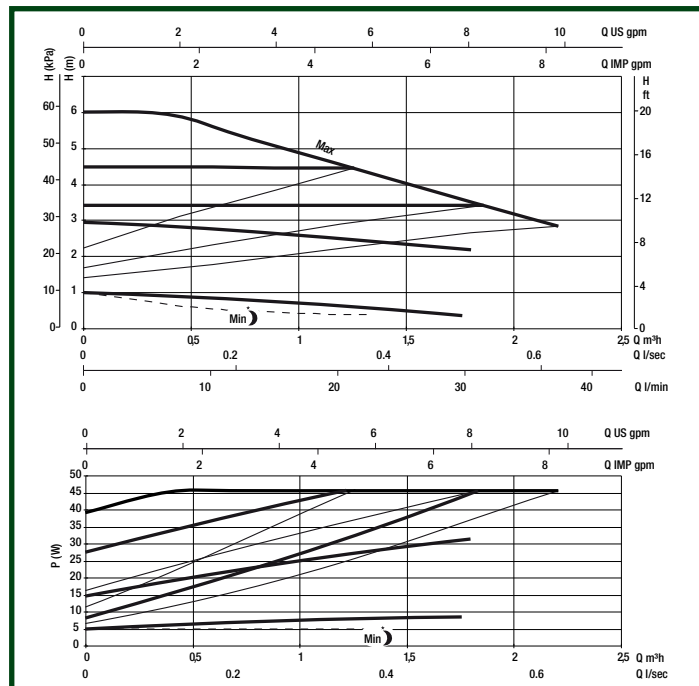
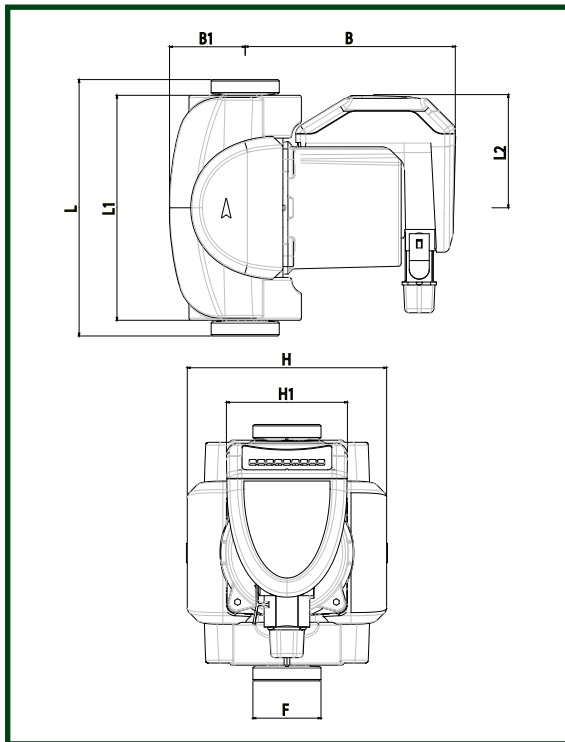
# EVOTRON SOL

## ELECTRONIC CIRCULATORS FOR SOLAR PANEL AND GEOTHERMAL HEATING SYSTEMS

Liquid temperature range:  
Maximum working pressure:

da - 10 °C a +110°C  
10 bar (1000 kPa)

### EVOTRON 60 SOL Single with unions



The performance curves are based on kinematic viscosity values = 1 mm<sup>2</sup>/s and density equivalent to 1000 kg/m<sup>3</sup>. Tolerance of curves to ISO 9906.

MODEL	L	L1	L2	B	B1	H	H1	F	PACK DIMENSIONS			VOLUME m <sup>3</sup>	WEIGHT Kg
									L	B	H		
<b>60/130 1/2" SOL</b>	130	158	79.5	147.5	53	140	85	1/2"	148	193	217	0.0061	2.720
<b>60/180 SOL</b>	180	158	79.5	147.5	53	140	85	1 1/2"	148	193	217	0.0061	2.980

MODEL	POWER SUPPLY 50 Hz	CENTRE DISTANCE mm	UNIONS ON REQUEST		ELECTRICAL DATA			MINIMUM SUCTION PRESSURE
			BRASS	COPPER		P W	I A	
<b>60/130 1/2" SOL</b>	1x230 V ~	130	-	-	MIN MAX	5 43	0,05 0,40	T° + 90°C m.c.a. 10
<b>60/180 SOL</b>	1x230 V ~	180	½" F - ¾" M - 1" F	ø 22 - ø 28	MIN MAX	5 43	0,05 0,40	T° + 90°C m.c.a. 10



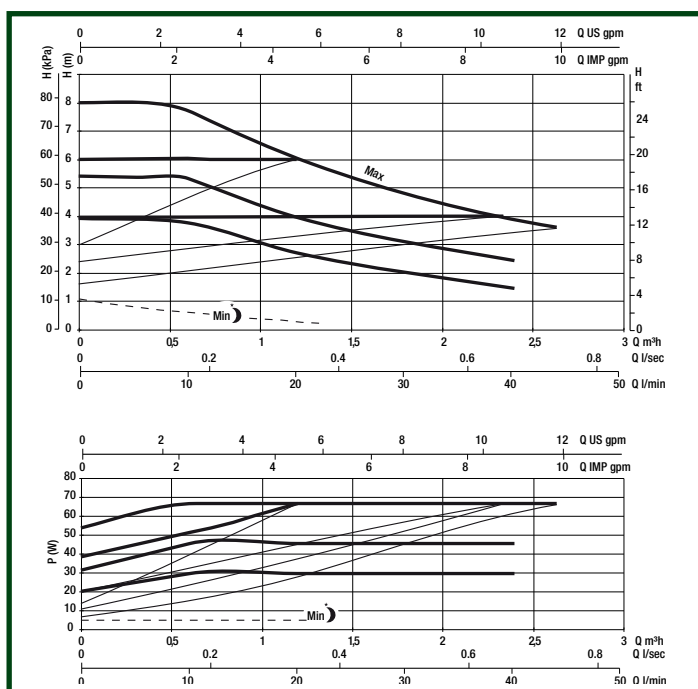
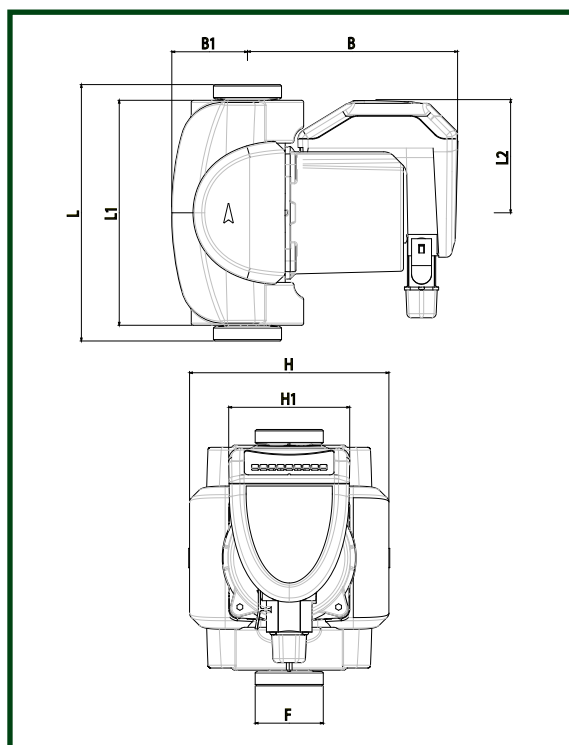
# EVOTRON SOL

## ELECTRONIC CIRCULATORS FOR SOLAR PANEL AND GEOTHERMAL HEATING SYSTEMS

Liquid temperature range:  
Maximum working pressure:

da - 10 °C a +110°C  
10 bar (1000 kPa)

### EVOTRON 80 SOL Single with unions



The performance curves are based on kinematic viscosity values = 1 mm<sup>2</sup>/s and density equivalent to 1000 kg/m<sup>3</sup>. Tolerance of curves to ISO 9906.

MODEL	L	L1	L2	B	B1	H	H1	F	PACK DIMENSIONS			VOLUME m <sup>3</sup>	WEIGHT Kg
									L	B	H		
<b>80/130 1/2" SOL</b>	130	158	79.5	147.5	53	140	85	1/2"	148	193	217	0.0061	2.720
<b>80/180 SOL</b>	180	158	79.5	147.5	53	140	85	1 1/2"	148	193	217	0.0061	2.980

MODEL	POWER SUPPLY 50 Hz	CENTRE DISTANCE mm	UNIONS ON REQUEST		ELECTRICAL DATA			MINIMUM SUCTION PRESSURE
			BRASS	COPPER		P W	I A	
<b>80/130 1/2" SOL</b>	1x230 V ~	130	-	-	MIN MAX	5 66	0,06 0,60	T° + 90°C m.c.a. 10
<b>80/180 SOL</b>	1x230 V ~	180	½" F - ¾" M - 1" F	ø 22 - ø 28	MIN MAX	5 66	0,06 0,60	T° + 90°C m.c.a. 10







Via Marco Polo, 14 - Mestrino (PD) Italy - Phone +39.049.5125000 - Fax +39.049.5125950  
Customer Service: Tel.: +39.049.5125350 - Fax +39.049.5125959 - email: [customer.service@dwtgroup.com](mailto:customer.service@dwtgroup.com)  
[www.dabpumps.com](http://www.dabpumps.com)

**DAB PUMPS LTD.**

Unit 4, Stortford Hall Industrial  
Park Dunmow Road, Bishops Stortford, Herts  
CM23 5GZ - UK  
[info.uk&eire@dwtgroup.com](mailto:info.uk&eire@dwtgroup.com)  
Tel.: +44 1279 652 776  
Fax: +44 1279 657 727

**DAB PUMPS B.V.**

Albert Einsteinweg, 4  
5151 DL Drunen - Nederland  
[info.netherlands@dwtgroup.com](mailto:info.netherlands@dwtgroup.com)  
Tel.: +31 416 387280  
Fax: +31 416 387299

**DAB PUMPS B.V.**

Brusselstraat 150  
B-1702 Groot-Bijgaarden - Belgium  
[info.belgium@dwtgroup.com](mailto:info.belgium@dwtgroup.com)  
Tel.: +32 2 4668353  
Fax: +32 2 4669218

**DAB PUMPEN DEUTSCHLAND GmbH**

Tackweg 11  
D - 47918 Tönisvorst - Germany  
[info.germany@dwtgroup.com](mailto:info.germany@dwtgroup.com)  
Tel.: +49 2151 82136-0  
Fax: +49 2151 82136-36

**PUMPS AMERICA, INC. DAB PUMPS DIVISION**

3226 Benchmark Drive  
Ladson, SC 29456 USA  
[info.usa@dwtgroup.com](mailto:info.usa@dwtgroup.com)  
Ph. : 1-843-824-6332  
Toll Free : 1-866-896-4DAB (4322)  
Fax : 1-843-797-3366

**DAB PUMPS IBERICA S.L.**

Parque Empresarial San Fernando  
Edificio Italia Planta 1ª  
28830 - San Fernando De Henares - Madrid  
Spain  
[info.spain@dwtgroup.com](mailto:info.spain@dwtgroup.com)  
Ph.: +34 91 6569545  
Fax: +34 91 6569676

**OOO DWT GROUP**

100 bldg. 3 Dmitrovskoe highway,  
127247 Moscow - Russia  
[info.russia@dwtgroup.com](mailto:info.russia@dwtgroup.com)  
Tel.: +7 495 739 52 50  
Fax: +7 495 485-3618

**DAB PUMPS CHINA**

No.40 Kaituo Road, Qingdao Economic & Technological  
Development Zone  
Qingdao City, Shandong Province, China  
PC: 266500  
[info.china@dwtgroup.com](mailto:info.china@dwtgroup.com)  
Fax +8653286812210  
Tel. +8653286812030-6270